



# WET/DRY VACUUM

## MODEL SV-12

### INTRODUCTION

### OPERATING & MAINTENANCE INSTRUCTIONS

---

#### READ THIS BOOK

This operator's book has important information for the use and safe operation of this machine. Read this book carefully before starting the machine. Keep this book and tell all operators to read the book. If you do not follow the instructions, you can cause an injury or damage equipment, furniture or buildings.

For additional information refer to the Triple S website [www.triple-s.com](http://www.triple-s.com) or write to:

*Triple S*  
2 Executive Park Drive  
Billerica, MA 01862

Carefully inspect all components to ensure that there is no concealed freight damage. If such damage is discovered, file a "CONCEALED DAMAGE REPORT" immediately with the delivering carrier.

The contents of this manual are based on the latest product information available at the time of publication. Triple S reserves the right to make changes or improvements to its machines without notice.

#### FOR YOUR CONVENIENCE, RECORD THIS IMPORTANT INFORMATION:

MODEL \_\_\_\_\_

SERIAL NUMBER \_\_\_\_\_

PART NUMBER \_\_\_\_\_

DATE PURCHASED \_\_\_\_\_

# IMPORTANT SAFETY INSTRUCTIONS

## READ AND UNDERSTAND ALL WARNINGS AND INSTRUCTIONS BEFORE USING THIS MACHINE!

### **WARNING! To reduce the risk of fire, electric shock, or injury:**

1. You must be trained to operate this machine. This machine is to be operated for its intended use only.
2. Do not operate this machine unless it is completely assembled.
3. Always use a three-wire electrical system connected to the electrical ground. For maximum protection against electrical shock, use a circuit that is protected by a ground fault circuit interrupter. Consult your electrical contractor.
4. To prevent electrical shock: Always remove the electrical plug from the electrical outlet before performing any repairs, maintenance or cleanup and when leaving the machine unattended.
5. To prevent electrical shock: Keep the machine surface dry; Do not subject to rain; Store the machine in a dry building area; Clean the machine with a dry cloth only.
6. Machines can cause an explosion when near flammable materials and vapors. Do not use or store this machine with or near fuels, grain dust, solvents, thinners, or other flammable materials. Do not use flammables to clean this machine.
7. Maintenance and repairs must be done by a qualified or authorized person.
8. If the machine is not working as it should, has been dropped, damaged, left outdoors, or dropped into water, return it to a service center.
9. To avoid damage to the machine's electrical cord, always lift the machine over the cord. Do not run the machine over the electrical cord.
10. Make sure all labels, decals, warnings, cautions and instructions are fastened to the machine.

### Grounding Instructions

This machine must be grounded. If it should malfunction or break down, grounding provides a path of least resistance for electric current to reduce the risk of electric shock. This machine is equipped with a cord having an equipment-grounding conductor and grounding plug. The plug must be inserted into an appropriate outlet that is properly installed and grounded in accordance with all local codes and ordinances.

**WARNING** - Improper connection of the equipment-grounding conductor can result in a risk of electric shock. Check with a qualified electrician or service person if you are in doubt as to whether the outlet is properly grounded. Do not modify the plug provided with the machine - if it will not fit the outlet, have a proper outlet installed by a qualified electrician.

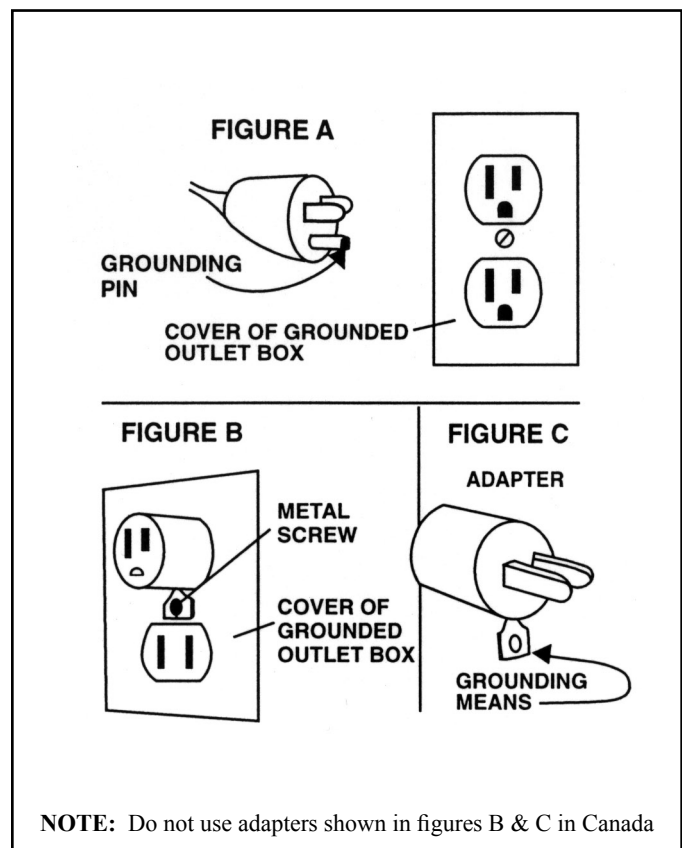
This machine is for use on a nominal 120-volt circuit, and has a grounded plug that looks like the plug illustrated in figure A. A temporary adapter that looks like the adapter illustrated in figures B and C may be used to connect this plug to a 2-pole receptacle as shown in figure B if a properly grounded outlet is not available. The temporary adapter should be used only until a properly grounded outlet (figure A) can be installed by a qualified electrician. The green colored rigid ear, lug, or the like extending from the adapter must be connected to a permanent ground such as a properly grounded outlet box cover. Whenever the adapter is used, it must be held in place by a metal screw.

*NOTE: In Canada, the use of a temporary adapter is not permitted by the Canadian Electrical Code*

#### **EXTENSION CORDS**

Use only three-wire 16/3 or larger gauge approved extension cords that have three-prong grounding type plugs and three-pole receptacles that accept the appliance's plug. Replace or repair any damaged cords or plugs.

When servicing, refer to authorized person only. Use only identical replacement parts.



# OPERATING PROCEDURES

---

**WARNING!** For the safe operation of this machine follow the instructions given in this booklet and the training given by your supervisor. Failure to do so can result in personal injury and/or damage to machine and property!

**DO NOT OPERATE MACHINE IN AN EXPLOSIVE ENVIRONMENT!**

**WARNING! NEVER USE THIS MACHINE TO PICK UP VOLATILE OR EXPLOSIVE MATERIALS.**

## **OPERATION**

---

To prepare the machine for operation, make sure it is of the correct voltage and properly assembled. If in doubt, ask your supervisor.

### **FOR DRY PICK-UP:**

“Dry” refers to material such as dust, dirt, debris and dry foam shampoo.

1. Release the clamp on the side of the tank and head assembly. Lift the head assembly off and set it aside.
2. Then lift the cloth filter assembly out of the collector tank. Clean the cloth filter if needed (reference the “Maintenance” section).
3. Empty the collector tank of all dust and debris. If the debris is wet, empty and dry the inside of the tank thoroughly.
4. Place the cloth filter assembly back into the collector tank. Check for a good seal around the outer filter lip and tank rim.
5. Replace the head assembly and fasten the clamp. Attach the hose, wand and floor tool of choice (reference page 5).
6. Plug the power cord into a 115-volt, 60 cycle grounded outlet.
7. Turn the machine’s motor on by pressing the rocker switch which is located on the head assembly.

### **FOR WET PICK-UP:**

“Wet” refers to liquids such as water, scrub solutions and detergents; **NOT** volatile or explosive materials.

1. Release the clamp on the side of the tank and head assembly. Lift the head assembly off and set it aside.
2. Then lift the cloth filter assembly out of the collector tank. Store the filter assembly for future, dry pick-up use. **DO NOT REINSTALL.**
3. Empty the collector tank of all dust and debris. Also wipe the inside of the collector tank to remove clinging dust.
4. Check the float shut-off device on the lower portion of the head assembly. The float should have free movement. When the recovered liquid soilage reaches the collector tank capacity, the float will rise to shut off the air flow, stopping the liquid recovery. This prevents damaging overflow and signals the operator when to empty the collector tank.
5. Replace the head assembly and fasten the clamp. Attach the hose, wand and floor tool of choice (reference page 5).
6. Plug the power cord into a 115-volt, 60 cycle grounded outlet.
7. Turn the machine’s motor on by pressing the rocker switch which is located on the head assembly.

# MAINTENANCE

---

Good maintenance procedures assure better operation, fewer repairs and longer life to your machine.

**DISCONNECT THE ELECTRICAL PLUG OF THE MACHINE FROM THE ELECTRICAL OUTLET BEFORE DOING ANY CLEANUP, REPAIRS OR MAINTENANCE OF THE MACHINE AND WHEN LEAVING THE MACHINE UNATTENDED.**

**CLEAN THE MACHINE AFTER EACH USE:**

1. **Wipe the outside with a clean cloth.**
2. **Clean the collector tank:** Release the clamps on each side of the tank and head assembly. Lift the head assembly off and set aside. Lift the filter assembly out of the collector tank and set aside. Then wipe the inside of the collector tank with a clean cloth.
3. **Empty and check the filter assembly:** Empty the recovered soilage into a suitable container and shake to remove clinging dirt. Brush the outside of the filter bag to remove embedded dirt. Check the filter assembly for tears or holes; repair or replace if necessary. Install the clean filter assembly into the clean collector tank.

**ELECTRICAL CABLE:**

Check the cord for any nicks, cuts or damage. Report these to your supervisor for correction.

**VACUUM HEAD ASSEMBLY:**

1. **Gaskets:** Clean the vacuum head gasket and the float shut-off gasket.
2. **Float Shut-Off Device:** This should move freely. Remove any debris or strings from the float cage.
3. **Head Assembly:** Replace and leave ajar if the collector tank is damp to prevent mildew.

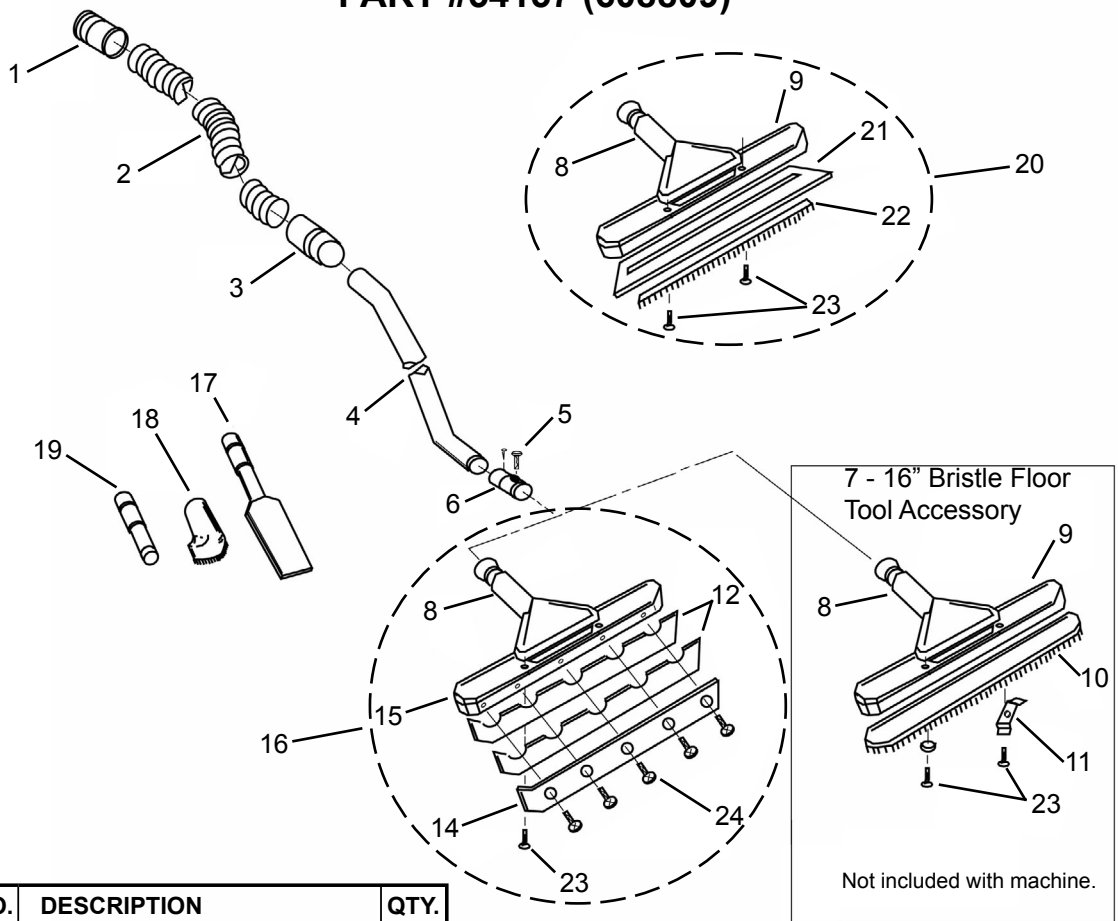
**WHEELS AND CASTERS:**

Check these for cuts and nicks. Remove any strings or debris that may restrict the free movement of the wheels. Wipe the treads clean.

**CARBON BRUSH INSPECTION:**

Check for wear at six month intervals or every 600 hours of operation. The carbon brushes must be replaced if worn shorter than 3/8 inch.

## TOOL KIT PART #54157 (608809)

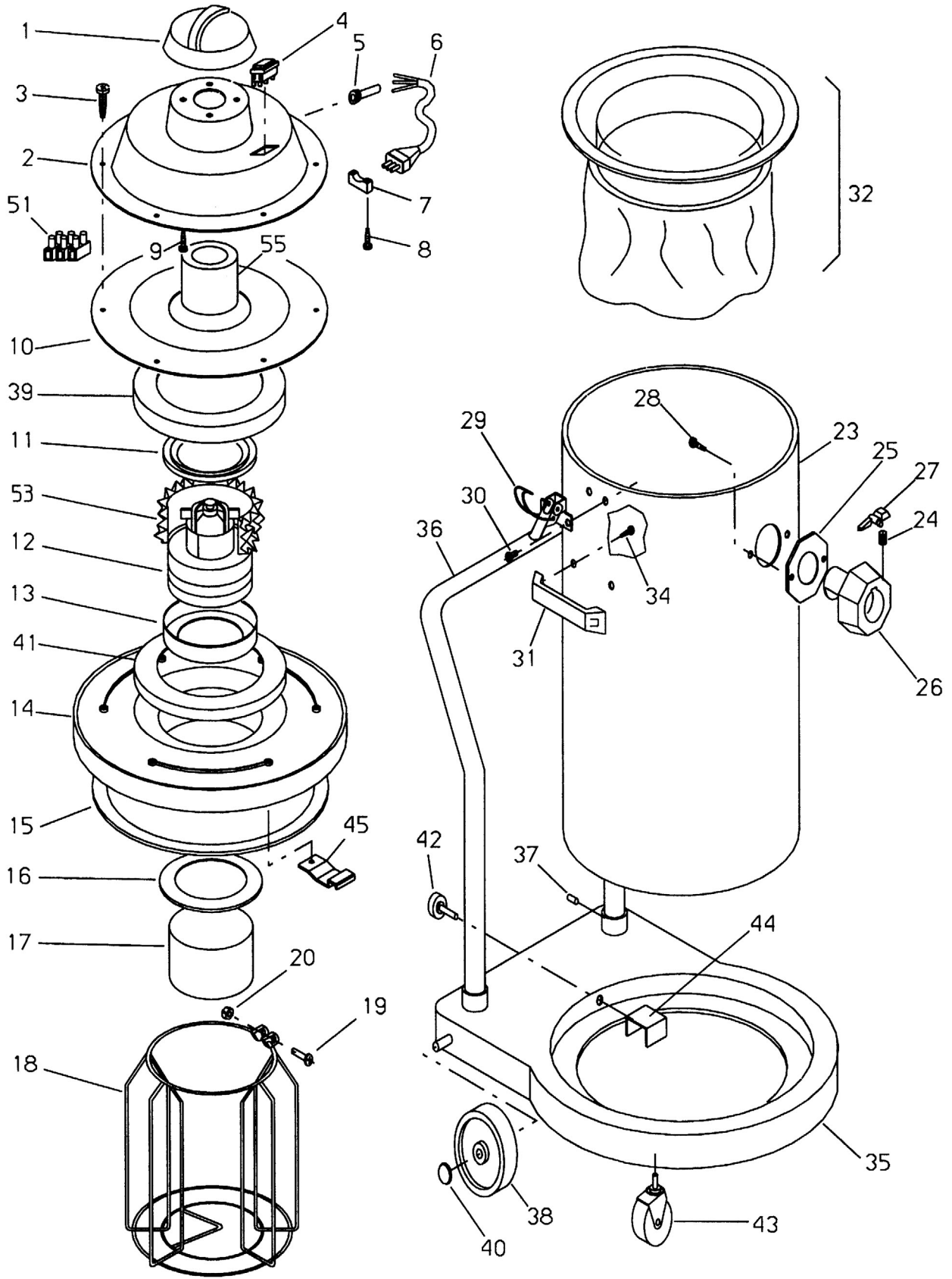


| ITEM | PART NO. | DESCRIPTION                        | QTY. |
|------|----------|------------------------------------|------|
| 1    | 600206   | Adaptor, 1-1/2 Hose, Vac End       | 1    |
| 2    | 604108   | Hose, 1-1/2x10ft. (w/out adaptors) | 1    |
|      | 604114   | Hose Asm, 1-1/2x10ft.(w/adaptors)  | 1    |
| 3    | 600205   | Adaptor, 1-1/2 Hose, Wand End      | 1    |
| 4    | 609810   | Wand Asm., with Tool Adaptor       | 1    |
| 5    | 606710   | Disconnect Pin Assembly            | 1    |
| 6    | 600204   | Adaptor, Wand                      | 1    |
| 7    | 608810   | 16" Bristle Floor Tool Asm.        | 1    |
| 8    | 601803   | Top Casting with Adaptor           | 1    |
| 9    | 601804   | Base Casting, Bristle Tool         | 1    |
| 10   | 600901   | Brush, Bristle Tool                | 1    |
| 11   | 602011   | Clamp, Brush                       | 2    |
| 12   | 600701   | Blade, Squeegee Pickup             | 4    |
| 14   | 607212   | Retainer                           | 2    |
| 15   | 601802   | Base Casting-Squeegee Tool         | 1    |
| 16   | 608812   | 16" Squeegee Floor Tool Asm.       | 1    |
| 17   | 608816   | 1-1/2" Crevice Tool                | 1    |
| 18   | 608820   | 3" Round Dusting Tool              | 1    |
| 19   | 600210   | Tool Adaptor, 1-1/4 to 1-1/2       | 1    |
| 20   | 608811   | 16" Carpet Tool Asm.               | 1    |
| 21   | 607901   | Carpet Shoe                        | 1    |
| 22   | 600902   | Brush Strip                        | 1    |
| 23   | 964022   | Screw                              | 6    |
| 24   |          | 10-24x3/8 Self-Tapping Screw       | 5    |

### TOOL KIT ASSEMBLY:

1. Connect the hose to the collector tank by inserting the large, grooved hose adapter end into the tank adapter. Press the pawl on Wet/Dry Vacuum to allow the hose adapter to slide further in. Release the pawl to engage the large groove.
2. Insert the upper wand half firmly into the lower wand assembly. The dimple on the lower wand aligns with the groove of the upper half to assure a rigid fit.
3. Insert the wand end into the free end of the vacuum hose. Then fasten the proper floor tool to the wand by inserting the mating end of the floor tool into the adapter collar of the wand assembly. Pull the tool locking pin to allow total engagement of the adapter and tool. Release the pin to lock the tool to the wand.
4. The hand tools may also be used by inserting their adapter directly into the free end of the vacuum hose.
5. Tool Selection: Choosing the proper tool will give the best results. To vacuum dust and debris from floors or walls-select the bristle floor tool. To remove water, liquid waste, strip solution, etc. from hard surfaced floors-use the squeegee floor tool. When vacuuming carpets or rugs-choose the carpet tool.

# SV-12



## SV-12 PARTS LIST

| ITEM | PART NO. | DESCRIPTION                                     | QTY. |
|------|----------|---|------|
| 1    | 601540   | Cover   | 1    |
| 2    | 602340   | Cap, Motor                                      | 1    |
| 3    | 964020   | Screw   | 8    |
| 4    | 608010   | Switch  | 1    |
| 5    | 608511   | Strain Relief                                   | 1    |
| 6    | 908020   | Cord Assembly                                   | 1    |
| 7    | 602009   | Clamp, Cord                                     | 1    |
| 8    | 964165   | Screw   | 2    |
| 9    | 964025   | Screw   | 4    |
| 10   | 600214   | Adaptor   | 1    |
| 11   | 603414   | Gasket  | 1    |
| 12   | 605210   | Motor - Vacuum, 115V                            | 1    |
|      | 605211   | Motor - Vacuum, 230V                            | 1    |
|      | 600903   | Brush, Carbon for 605210 & 605211 (2 req'd/mtr) | 2    |
| 13   | 603410   | Gasket  | 1    |
| 14   | 600215   | Adaptor, Lower Motor                            | 1    |
| 15   | 603442   | Gasket, Dome                                    | 1    |
| 16   | 603412   | Gasket, Float                                   | 1    |
| 17   | 603312   | Float   | 1    |
| 18   | 602413   | Cage  | 1    |
| 19   | 964139   | Screw   | 1    |
| 20   | 920628   | Nut   | 1    |
| 23   | 608617   | Tank, Vacuum                                    | 1    |
| 24   | 608303   | Spring  | 1    |
| 25   | 603415   | Gasket, Coupler                                 | 1    |
| 26   | 602409   | Coupler   | 1    |
| 27   | 607001   | Pawl  | 1    |
| 28   | 964143   | Screw   | 2    |
| 29   | 602010   | Clamp   | 2    |
| 30   | 930011   | Rivet   | 4    |
| 31   | 603910   | Handle  | 2    |
| 32   | 600530   | Filter Bag Assembly                             | 1    |
| 34   | 964026   | Screw   | 4    |
| 35   | 601308   | Base Carriage                                   | 1    |
| 36   | 603908   | Handle, Transport                               | 1    |
| 37   | 925005   | Pin, Dowel                                      | 4    |
| 38   | 609713   | Wheel   | 2    |
| 39   | 600216   | Adaptor   | 1    |
| 40   | 601508   | Cap, Wheel Shaft                                | 2    |
| 41   | 600218   | Adaptor, Lower Motor                            | 1    |
| 42   | 605004   | Knob  | 1    |
| 43   | 609714   | Caster  | 2    |
| 44   | 600804   | Bracket   | 1    |
| 45   | 600807   | Bracket, Antistatic                             | 1    |
| 51   | 911267   | Terminal Board                                  | 1    |
| 53   | 604801   | Insulation, Sound                               | 1    |
| 55   | 608101   | Sleeve, Motor Cooling Air                       | 1    |

## SSS WET/DRY VACUUM, MODEL SV-12 LIMITED WARRANTY

The SSS Wet/Dry Vacuum, Model SV-12 has been manufactured, tested and inspected in accordance with specific engineering requirements, and is WARRANTED by the manufacturer to be free from defects in workmanship and materials.

This warranty is, however, subject to the following qualifications, conditions and limitations which are set forth to provide you and all users of the SSS Wet/Dry Vacuum, Model SV-12 with information concerning the duration, extent, availability and applicability of this Limited Warranty, the procedure to be taken to obtain its performance and other information concerning the manufacturer's warranty policy.

### 1. TO WHOM EXTENDED AND DURATION OF ITEMS COVERED

This warranty extends to the original consumer purchaser from the date it was purchased and for the items and periods as follows:

Five (5) years parts, one (1) year labor - Stainless Tank

One (1) year parts & labor - All other components unless excluded below.

### 2. PARTS NOT COVERED BY WARRANTY

Certain parts of the SSS Wet/Dry Vacuum require replacement in the ordinary course of use due to normal wear by reason of their characteristics. This warranty does not cover wear parts and accessories of the machine such as electrical cords, carbon motor brushes, floor brushes, hoses, tools, filters, casters, wheels, etc.

### 3. EXCEPTIONS AND EXCLUSIONS FROM WARRANTY

The SSS Wet/Dry Vacuum is required to be used on electric current as indicated on the nameplate. Otherwise damage, defects, malfunctions or other failures of the SSS Wet/Dry Vacuum arising from use on electric current not as indicated are excepted and excluded from this warranty.

Defects, malfunctions, failure or damage of the SSS Wet/Dry Vacuum caused by improper, unreasonable or negligent use or abuse while in the possession of the consumer are likewise excluded from this warranty.

If repair is done on your SSS Wet/Dry Vacuum by anyone other than those below designated as authorized to perform such work without first having obtained factory instructions, the manufacturer, at its sole option, may determine that this warranty will not apply and that reimbursement for such repair will not be made because of the failure to comply with such factory specified instructions.

### 4. PROCEDURE TO BE TAKEN TO OBTAIN PERFORMANCE OF WARRANTY

To secure repair of the SSS Wet/Dry Vacuum or any warranted parts under this warranty, the following procedure should be taken: The inoperative SSS Wet/Dry Vacuum or warranted parts, together with satisfactory evidence of the purchase date, must be delivered with shipping and delivery charges prepaid to the Dealer from whom purchased.

If you are unable to locate the Dealer, you may write or otherwise communicate with **Triple S, 2 Executive Park Drive, Billerica, MA 01862** for instructions before repair service is performed by anyone else. In such event Triple S will provide either the location of a closely available Triple S Distributor Service Department or other factory instructions.

Upon compliance with the above procedure, all warranted defects will be repaired, at no additional charge or costs to the consumer, and the repaired product returned to the consumer, with all shipping and delivery charges prepaid.

In following the procedures above set forth PLEASE MAKE CERTAIN to state the Triple S model, type and serial number as shown on the name plate of the SSS Wet/Dry Vacuum.

### REPLACEMENT

In the event of the defect, malfunction or failure of your SSS Wet/Dry Vacuum or any warranted part to conform with this warranty, the manufacturer may at its sole option and own expense, replace the SSS Wet/Dry Vacuum or any warranted part with another new identical or reasonably equivalent model or part in lieu of repairing the defect.

### 5. NO REFUND OF PURCHASE PRICE

Triple S will not, as a matter of its warranty policy, refund the consumer's purchase price.

### 6. WARRANTY REGISTRATION CARD FOR YOUR SSS WET/DRY VACUUM AND REQUESTS FOR INFORMATION

Please fill out the warranty registration card accompanying your SSS Wet/Dry Vacuum, giving complete information as requested on the card, and return to Triple S.

This warranty is in lieu of all other expressed or implied warranties.

