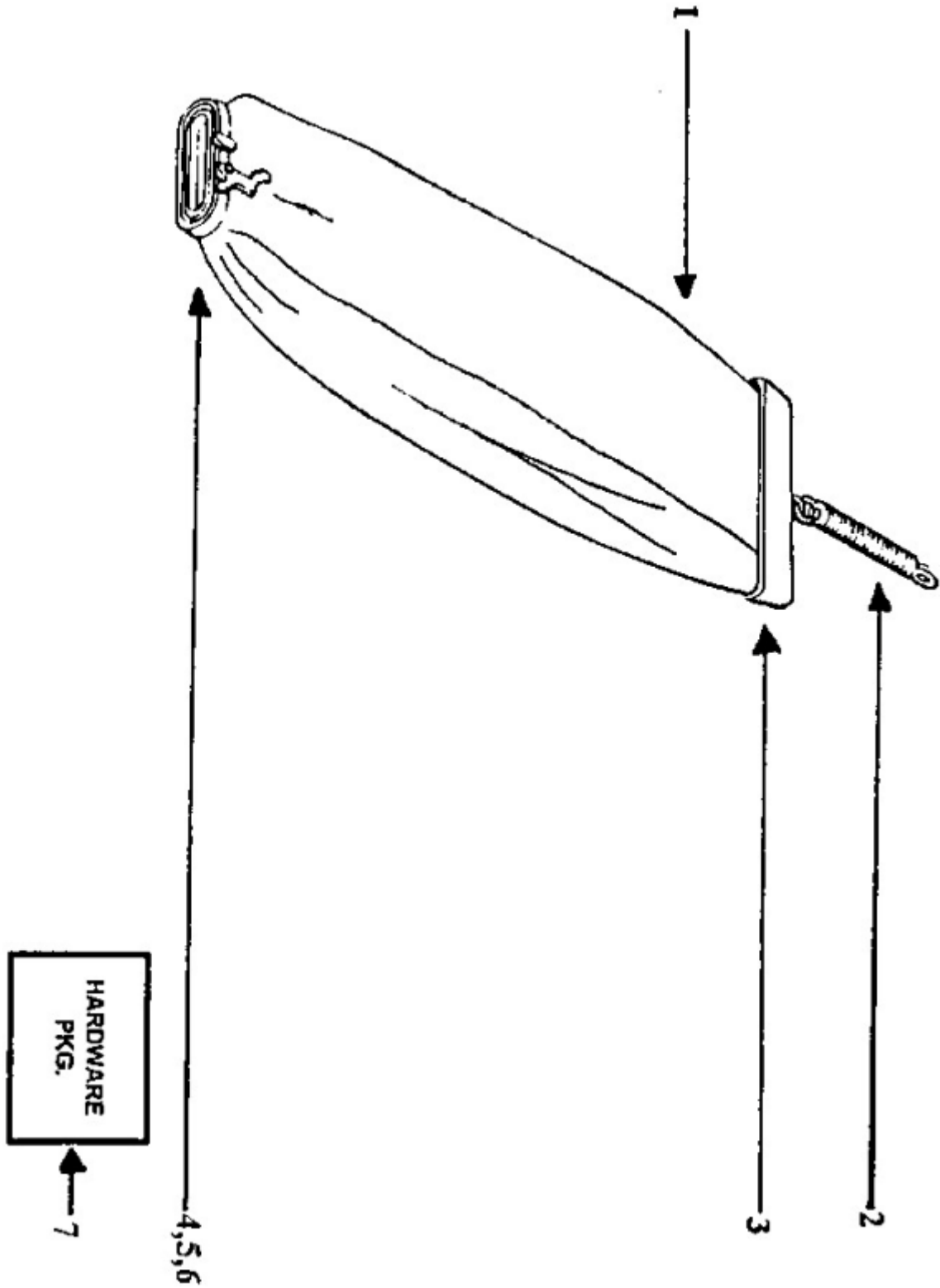




# **SSS ProSpec Vacuum**

## **MODEL CTR Contractor**

**Parts & Schematics**



Bag Assembly - #26010

Ref #	Part	Description	Comments	Qty
1	53416-5	BAG ASSEMBLY - PACKAGED		
2	47722	SPRING - BAG		
3	30599D-10	CLIP - BAG		
4	48748	WASHER		
5	54507	PACKAGE - RIVET		
6	37032-2	CAM - BAG ADAPTER LOCK		
7	49461B-5	HARDWARE PKG - COMM UPRIG		

**54097-5 HOOD & NAMEPLATE ASS'Y.  
77147 NAMEPLATE**



**56383-1SV AIR INLET DUCT ASS'Y. (R.H.)  
49052-3 FOAM TAPE**



**56382-1SV AIR INLET DUCT ASS'Y.  
49052-3 FOAM TAPE**



**53474-27 BASE ASS'Y.  
NOT ILLUSTRATED  
24984A CAM (R.H.)  
24985A CAM (L.H.)  
53118 RIVET-CAM PKG. 10 2 USED  
53133 WASHER PKG. 10 2 USED**



**52334 FAN CHAMBER REPLACEMENT KIT (INCLUDES)  
30517 MOTOR SEAL GASKET  
13770-1 FAN CHAMBER COVER  
53238-14 SCREW  
PKG. 10 2 USED**



## Base and Hood - #26010

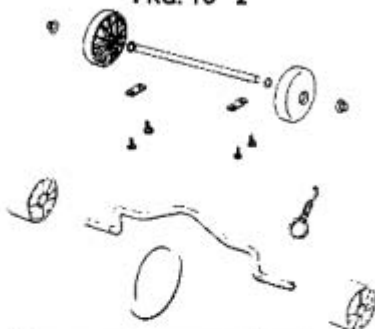
Ref #	Part	Description	Comments	Qty
1	54097-6	HOOD & NAMEPLATE ASSY - P		
2	79412	NAMEPLATE (SSS)		
3	53143	SCREW PACKAGE (10)		
4	38053-2	KNOB ASSEMBLY		
5	53228-2	SCREWS - PACKAGE 10		
6	53160	CABLE CLAMP PACKAGE		
7	53238-13	SCREW PACKAGE		
8	53238-14	SCREW PACKAGE		
9	53214-1	WIRE SPLICE 5		
10	53102	LOCKWASHER PACKAGE (10)		
11	56383-1SV	DUCT ASSEMBLY (R)		
12	49052-3	TAPE - FOAM		
13	54352-15	MOTOR ASSEMBLY - PACKAGED		
14	56382-1SV	DUCT ASSEMBLY (L)		
15	56382-1SV	DUCT ASSEMBLY (L)		
16	49052-3	TAPE - FOAM		
17	30517	GASKET - MOTOR SEAL		
18	24834A-3	PEDAL - FOOT		
19	53097	SPRING - FOOT PEDAL PKG (		
20	37034	SPRING - ADAPT RETAINER		
21	53140	CLAMP & SCREW ASSY PKG		
22	53238-11	SCREW PACKAGE		
23	54173-1	WIRE ASSY (GROUNDING)		
24	53425-29	BASE ASSEMBLY - CARTONED		
25	53213-4	NUTS - PACKAGE 10		
26	54177	WIRE & TERMINAL ASSY		
27	24964A-1	CAM (RIGHT)		
28	24965A-1	CAM (LEFT)		
29	53118	RIVET - SHOULDER PACKAGE		
30	53133	STL WASHERS-PKG (48495 (NLA)		
31	36263	COVER - WHEEL		
32	53117	SPRING - HOOD PACKAGE (10		
33	52334	FAN CHAMBER REPLACEMENT K		
34	13770-1	COVER - FAN SCROLL		
35	53238-14	SCREW PACKAGE		
36	13770-1	COVER - FAN SCROLL		



**37234-1 WHEEL & AXLE ASS'Y. (INCLUDES)**

**53110 WHEEL WASHER  
PKG. 10 2 USED**

**37183 REAR AXLE  
53121 PUSHNUT USED  
PKG. 10 2**



**NOTE  
PT. NO. 53270  
DISTURBULATOR ASS'Y.  
INCLUDES\***

**13236-3 DISTURBULATOR TUBE**

**52282-4 BRISTLE STRIP ASS'Y.**

**49899 FELT WASHER**

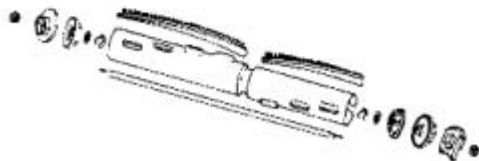
**54256 BEARING RETAINER  
PKG. 2 2 USED**

**25057A DISTURBULATOR CAP**

**53158 LOCK NUT  
PKG. 10 2 USED**

**53184 KLIPRING  
PKG. 10 2 USED**

**25937 SHAFT**



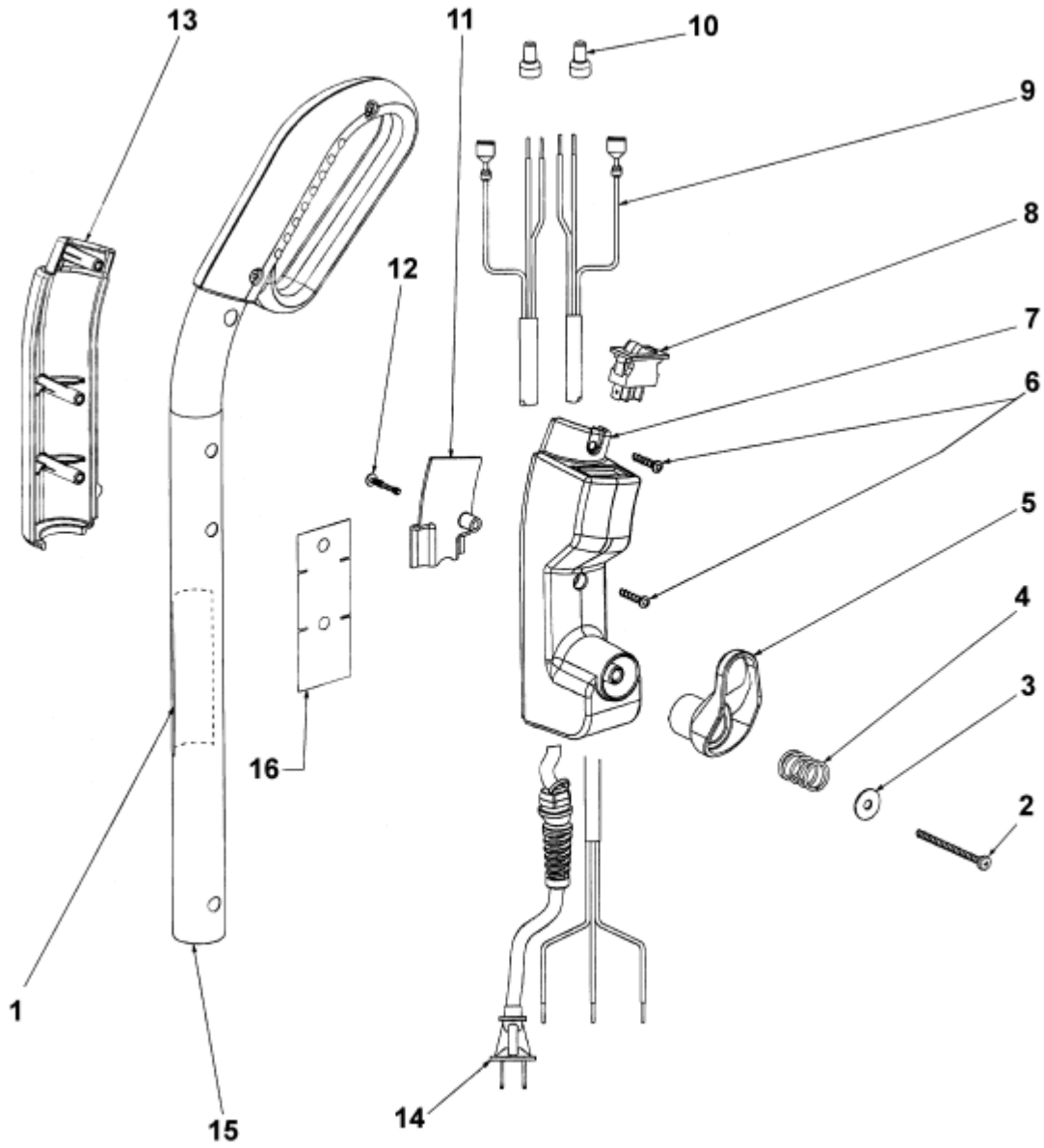
**25922-1 BOTTOM PLATE ASS'Y.(INCLUDES)**

**48538 FOAM TAPE**



## Furniture Guard/Brush Roll - #26010

Ref #	Part	Description	Comments	Qty
1	13236-3	TUBE - DISTURBULATOR		
2	25922-1	BOTTOM PLATE ASSEMBLY		
3	25937	SHAFT - DISTURBULATOR		
4	26057A	CAP - DISTURBULATOR		
5	26059A	CAP - COVER		
6	26242-1	REAR WHEEL use 26242-119N		
7	26296-9	Discontinued, use 27564-1		
8	35859A-1	WHEEL - FRONT		
9	35947A	AXLE - FRONT		
10	37183	AXLE - REAR		
11	37234-1	WHEEL & AXLE ASSY		
12	46538	TAPE-FOAM (use 46538-4)		
13	49899	WASHER - FELT		
14	52282-4	BRISTLE STRIP PACKAGE		
15	53076-2	SPRING & AXLE PACKAGE (6)		
16	53110	WASHER - WHEEL PACKAGE (1)		
17	53121	PUSH NUT PACKAGE (10)		
18	53158	LOCK NUT PACKAGE		
19	53184	KLIPRING PACKAGE		
20	53238-11	SCREW PACKAGE		
21	53270	DISTURBULATOR ASSEMBLY		
22	54256	BRG & RET ASSY		
23	55535-2	AXLE CLAMP - PACKAGED		
24	30563A	BELT-DISTURBULATOR DRIVE		



Ref #	Part	Description	Comments	Qty
1		Label		
2	53238-18	SCREW PACKAGE		
3	60946	WASHER - PACKAGED		
4	60945	SPRING - PACKAGED		
5	28316-355N	RETAINER - CORD		
6	53197-1	SCREW PACKAGE		
7	76643-355N	HOUSING - SWITCH (LH)		
8	28073A	SWITCH - ROCKER		
9	76767	UPPER CORD ASSY.		
10	60192-1	WIRE SPLICE 5		
11	59741-316N	SHIELD - WIRING		
12	60947	SCREWS - PACKAGED		
13	76644-355N	HOUSING - SWITCH (RH)		
14	36577A-23	SUPPLY CORD ASSY		
15	15774-2SV	UPRIGHT HANDLE & GRIP ASS		
16	76644-355N	HOUSING - SWITCH (RH)		
17	76224	CORD - EXTENSION	Extension cord not pictured	
18	76225-355N	CORD LOCK	Extension cord lock not pictured	
	13154B-355N	RETAINER - CORD (LOWER)		
	12637-8	TUBE - HANDLE (LOWER)		

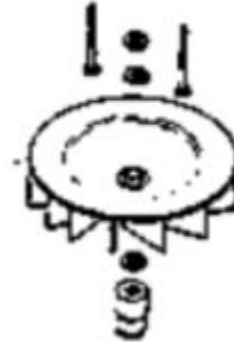
54352-15 MOTOR ASSY



54395-4 ARM, FAN & BEARING ASSY

53088-2 BEARING

30474A FAN

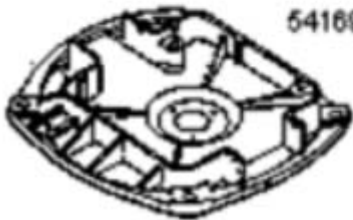


54169-1 MOTOR BASE ASSY

54412 BEARING & RETAINER ASSY

53088-1 BEARING

53187-1 RIVET



## Motor - #26010

Ref #	Part	Description	Comments	Qty
1	54352-15	MOTOR ASSEMBLY - PACKAGED		
2	53219-2	SCREWS - PACKAGE 10		
3	53213-4	NUTS - PACKAGE 10		
4	53222-3	LOCKWASHERS - PACKAGE 10		
5	30478	MOTOR BRUSH ASSEMBLY		
6	53138	SCREWS - PACKAGE 10		
7	54396	MOTOR COVER ASSEMBLY - LA		
8	20217E	RETAINER - UPPER BEARING		
9	53441-2	FIELD ASSEMBLY - PACKAGED		
10	56802-2	TIE - CABLE (PURCHASED)		
11	54395-4	ARMATURE, FAN & BRG ASSY-		
12	53088-2	BALL BEARINGS use 53088-4		
13	30474A	FAN - MOTOR COOLING		
14	53142	SCREW PACKAGE (10)		
15	53188-1	WASHER PACKAGE		
16	53148	WASHER - FAN PACKAGE (10)		
17	77247-355N	FAN BLOWER - MOTOR		
18	37012-2	PULLEY - MOTOR DRIVE		
19	54169-1	MOTOR BASE ASSEMBLY		
20	54412-2	BEARING RETAINER ASSY-W/L		
21	53088-1	BALL BEARING - PACKAGE		
22	53187-1	RIVET PACKAGE		

